

→ Type 1940 / 1945

Type 1940 / 1945

Vent valve made of stainless steel with threaded connection



■ MATERIAL



■ SPECIFICATION



1/2" to 2"



-60°C to + 225°C



-6 mbar to -800 mbar

■ SUITABLE FOR

Air, gases and vapours neutral



Steam



■ EXAMPLES OF USE

Vent valve for pipelines, pipeline systems, vessels and heat exchangers, in which the pressure should not fall below atmospheric pressure.

- Vessel emptying
- Protection against vacuum build-up in tanks, piping systems, heat exchangers and vessels in steam plants

■ NOMINAL DIAMETERS, CONNECTIONS, INSTALLATION DIMENSIONS

Type 1940 / 1945: Connection, Installation dimensions, Weight								
		1940				1945		
Nominal diameter	DN	15	20	25	50	15	20	25
	PN	40						
Screw-in connection thread	G	½" (15)	¾" (20)	1" (25)	2" (50)	½" (15)	¾" (20)	1" (25)
	G1	¼" (8)	½" (15)	¾" (20)	1½" (40)	¼" (8)	½" (15)	¾" (20)
Installation dimensions in mm	H	55,4	63,4	69	122,5	109,4	117	123
	H1	15	17	19	22	15	17	19
	A	36	52	64	94	36	52	64
Weight	SW	36	52	64	88	36	52	64
	kg	0,35	0,75	1,18	4,1	0,6	1,24	1,87
Range of adjustment	mbar	-6	-6	-6	-6	-100 to -800	-100 to -800	-100 to -800

■ MATERIALS

Component	Material	DIN EN	ASME
Inlet body	Stainless steel	1.4408	316L
Outlet body	Stainless steel	1.4408	316L
Internal parts	Stainless steel	1.4408	316L

■ THREADED INLET / THREADED SUCTION CONNECTION

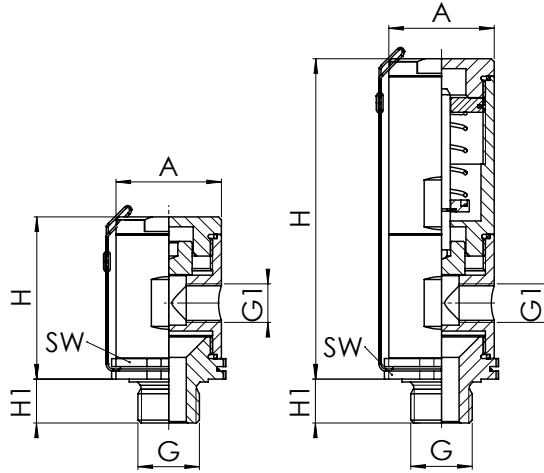
m/f	Standard	Male thread BSP-P / Female thread BSP-P	DIN EN ISO 228-1 / DIN EN ISO 228-1
f/f		Female thread BSP-P / Female thread BSP-P	DIN EN ISO 228-1/DIN EN ISO 228-1
NPTm/f		Male thread NPT / Female thread BSP-P	ANSI B 1.20.1/DIN EN ISO 228-1
BSP-Tm/f		Male thread BSP-T / Female thread BSP-P	DIN EN 10226, ISO 7-1/DIN EN ISO 228-1

SEALS

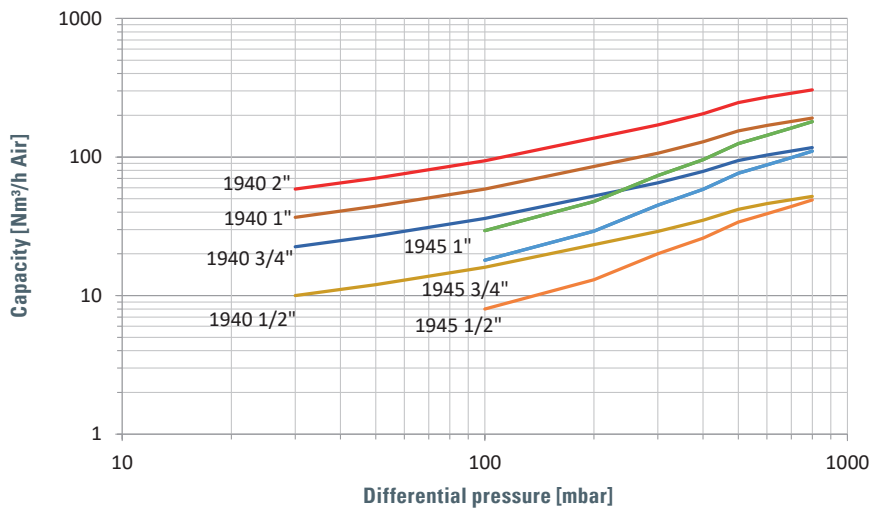
Primary seal	PTFE	Polytetrafluoroethylene	-60°C to +225°C
Primary seal	MD*	Metallic seal	-60°C to +225°C
Secondary seal	PTFE	Polytetrafluoroethylene	-60°C to +225°C

* only valid for the type 1940, DN15 to DN25

Type 1940/1945 MAIN DIMENSIONS, INSTALLATION DIMENSIONS



CAPACITY CHART



Conversion: $Nm^3/h \times \frac{1000}{3600} = NI/s$

Type 1940 opening at -6 mbar (=0,994 bar abs.)

The flow rate increases with rising differential pressure.

Example size 1":

The flow rate at a differential pressure of 60 mbar amounts to 50 Nm³/h air which corresponds to 13.9 NI/s

The flow rate at a differential pressure of 200 mbar amounts to 82 Nm³/h air which corresponds to 22.8 NI/s

Type 1945 adjustable from -100 up to -800 mbar (from 0.9 to 0.2 bar abs.)

The flow rate is independent of the set pressure, however it increases with rising differential pressure.

Example size 1/2":

The flow rate at a differential pressure of 100 mbar amounts to 8 Nm³/h air which corresponds to 2.2 NI/s

The flow rate at a differential pressure of 400 mbar amounts to 26 Nm³/h air which corresponds to 7.2 NI/s